



# PRODUCTS CATALOG

ELECTRICAL ENCLOSURES & MODULAR CABINETS



# 20

[exmweb.com](http://exmweb.com)

# NEMA 4X ENCLOSURES

## 5412 EALCH

### ALUMINIUM JIC ENCLOSURES (BOLTED FEET)

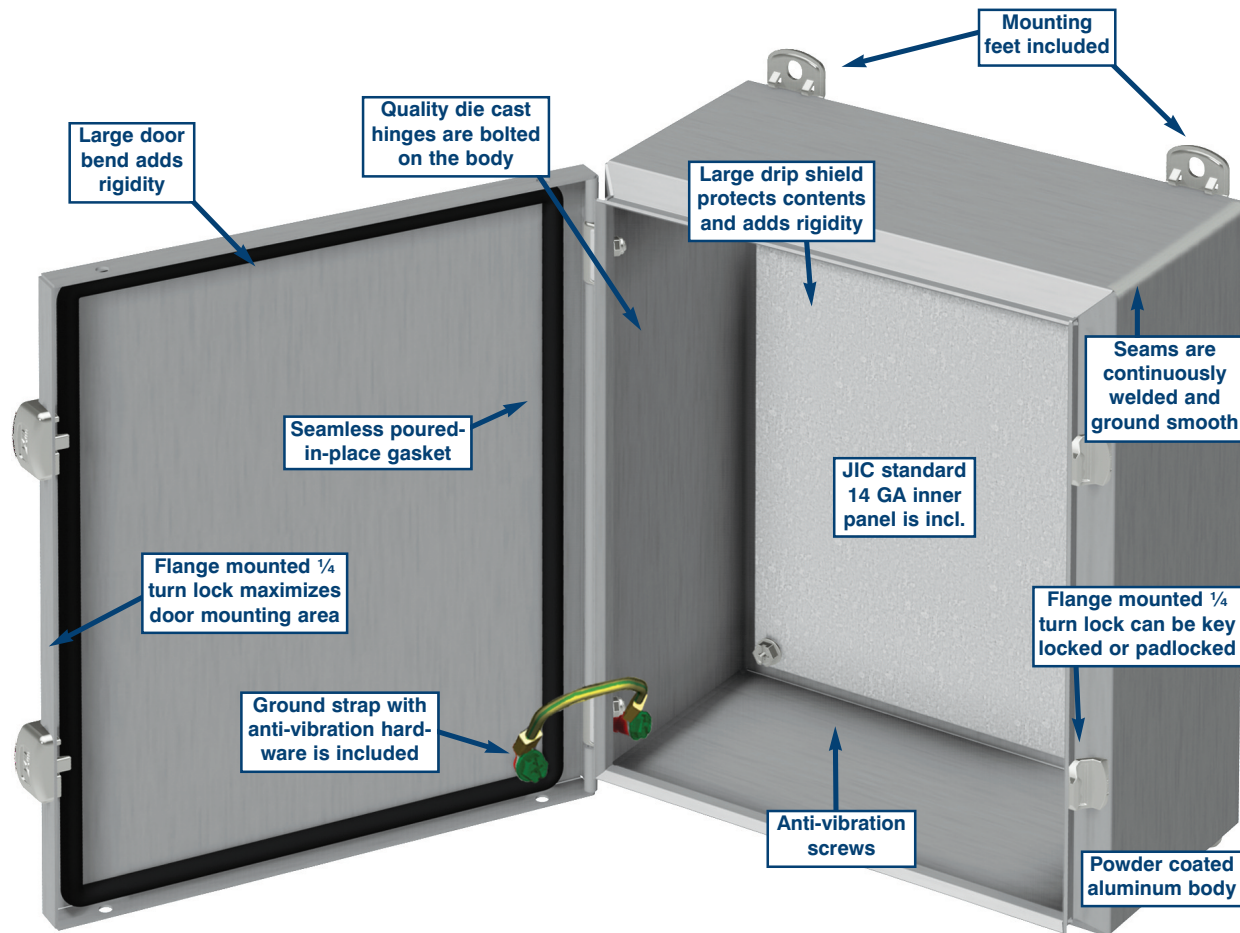
The 5412 EALCH are used indoors or outdoors to protect the enclosed controls from dust, dirt, oil and water splashing. The 5412 EALCH are made of high quality 0.063" (Type 5052 H - 32) aluminium, with continuously welded corner seams. The opening has a curled lip around all sides to increase rigidity and prevent dripping water from entering the enclosure when the door is open. A high quality, robotically poured-in-place, seamless gasket ensures a complete and durable water tight seal. This enclosure

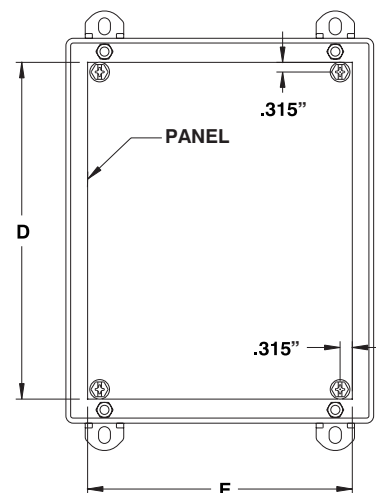
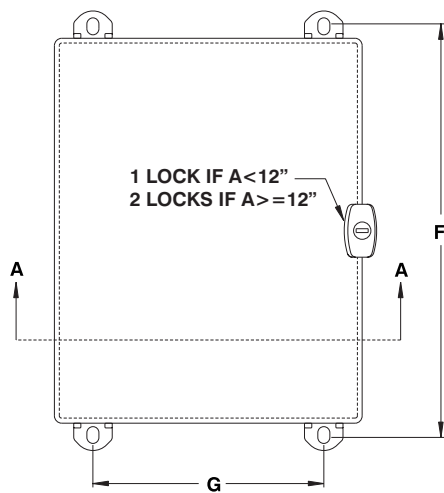
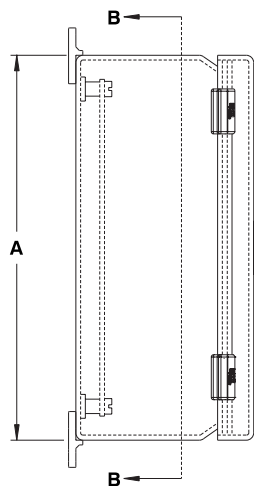
features incorporated hinging, meaning that the hinge is a part of the box and part of the cover. This minimizes the amount of welding and allows the door to be easily removed by pulling out the full length mushroom head hinge pin. Very few JIC type enclosures offer this considerable advantage. **EXM's exclusive flange-mounted ¼ turn locking system** ensures positive closing. **Each enclosure comes complete with a 14 GA galvanized inner panel,** which mounts on welded nuts. Enclosures are finished with heat

fused powder paint, electrostatically applied on a pretreated base. Box is ANSI/ASA 61 smooth gray. Inner panel is galvanized (other colors available).

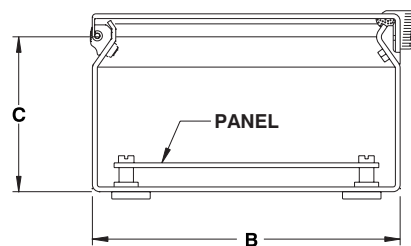
**CSA Certified / UL Listed  
NEMA/EEMAC 4X / IP66**

**Refer to p.734 to validate choice of substrate for the application**





SECTION B-B



SECTION A-A

**CUSTOMIZE THIS**  
ENCLOSURE WITH **BOXCAD**  
**SIZE - COLOR - CUT-OUTS**

CATALOG NUMBER	DIMENSIONS							SHIP WGHT LBS.
	A	B	C	D	E	F	G	
5412 EALCH040403	4	4	3	Ø Pan.	Ø Pan.	4.75	2	1
5412 EALCH060403	6	4	3	4.88	2.88	6.75	2	2
5412 EALCH060404	6	4	4	4.88	2.88	6.75	2	2
5412 EALCH060604	6	6	4	4.88	4.88	6.75	4	3
5412 EALCH080604	8	6	4	6.88	4.88	8.75	4	3
5412 EALCH080804	8	8	4	6.88	6.88	8.75	6	4
5412 EALCH081004	8	10	4	6.88	8.88	8.75	8	5
5412 EALCH100804	10	8	4	8.88	6.88	10.75	6	5
5412 EALCH120604	12	6	4	10.88	4.88	12.75	4	4
5412 EALCH060605	6	6	5	4.88	4.88	6.75	4	3
5412 EALCH080605	8	6	5	6.88	4.88	8.75	4	4
5412 EALCH101005	10	10	5	8.88	8.88	10.75	8	7
5412 EALCH101205	10	12	5	8.88	10.88	10.75	10	8
5412 EALCH121005	12	10	5	10.88	8.88	12.75	8	8
5412 EALCH121205	12	12	5	10.88	10.88	12.75	10	9
5412 EALCH080606	8	6	6	6.88	4.88	8.75	4	4
5412 EALCH100806	10	8	6	8.88	6.88	10.75	6	6
5412 EALCH101006	10	10	6	8.88	8.88	10.75	8	7
5412 EALCH121206	12	12	6	10.88	10.88	12.75	10	9
5412 EALCH121406	12	14	6	10.88	12.88	12.75	12	10
5412 EALCH140806	14	8	6	12.88	6.88	14.75	6	5
5412 EALCH141206	14	12	6	12.88	10.88	14.75	10	10
5412 EALCH141606	14	16	6	12.88	14.88	14.75	14	12
5412 EALCH161006	16	10	6	14.88	8.88	16.75	8	10
5412 EALCH161206	16	12	6	14.88	10.88	16.75	10	11
5412 EALCH161406	16	14	6	14.88	12.88	16.75	12	12
5412 EALCH121008	12	10	8	10.88	8.88	12.75	8	8
5412 EALCH141208	14	12	8	12.88	10.88	14.75	10	10
5412 EALCH161208	16	12	8	14.88	10.88	16.75	10	13
5412 EALCH161408	16	14	8	14.88	12.88	16.75	12	13
5412 EALCH161410	16	14	10	14.88	12.88	16.75	12	14

